



---

▶ **YOUR CONTROL STATION  
SOLUTION STARTS HERE!**

VARIETY OF DEVICES AND OPTIONS



1-Hole enclosures colors

▶ 1-Hole enclosures

Cat. No.



● ● Grey cover, black base

LBX0100



● ● Black cover, black base

LBX0100NR



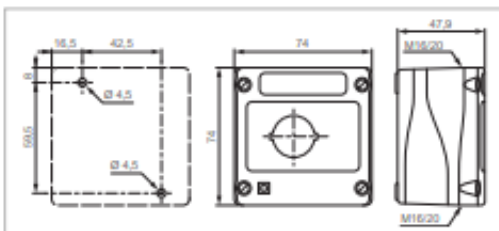
● ● Red cover, black base  
● ● Red cover, red base

LBX0100RN  
LBX0100RG



● ● Yellow cover, black base

LBX0100J



- ▶ Variety of colored boxes
- Molded polycarbonate (PC)

Enclosures

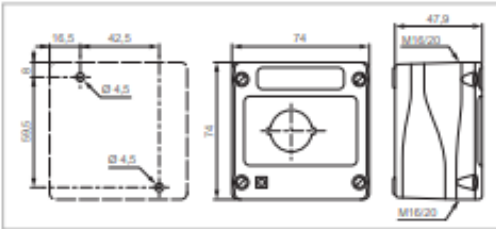
▶ 1 Hole

Cat. No.



- Black base**
- Grey cover
  - Yellow cover
  - Black cover
  - Red cover
  - Yellow cover with symbol
- IEC 60717 / ISO 13850

LBX0100  
 LBX0100J  
 LBX0100NR  
 LBX0100RN  
 LBX0130167

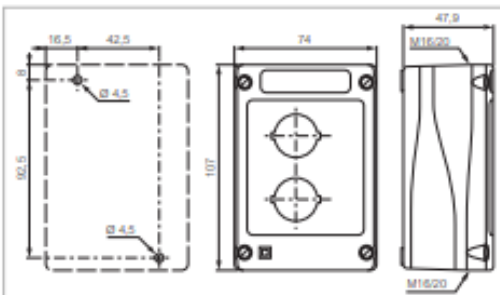


▶ 2 Holes



- Black base**
- Grey cover
  - Yellow cover

LBX0200  
 LBX0200J



- ▶ Possibility to assign a part number to empty boxes with marking  
 All text and languages possible

Ask for our help at [info@bacocontrols.com](mailto:info@bacocontrols.com)

Enclosures

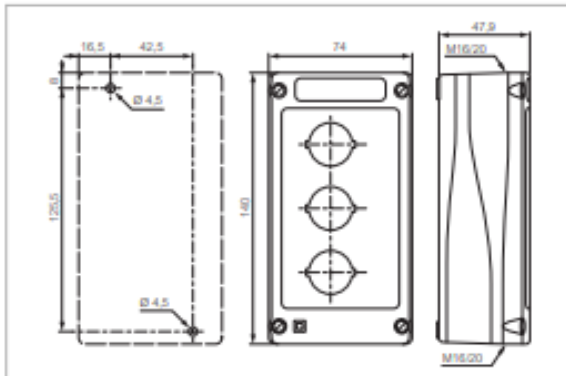
▶ 3 Holes

Cat. No.



- Black base
- Grey cover

LBX0300



- ▶ Possibility to assign a part number to empty boxes with marking  
All text and languages possible

Ask for our help at [info@bacocontrols.com](mailto:info@bacocontrols.com)



Enclosures

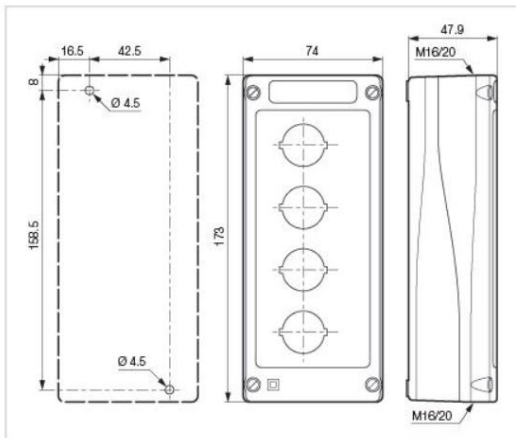
▶ 4 Holes

Cat. No.



- Black base
- Grey cover

LBX0400



- ▶ Possibility to assign a part number to empty boxes with marking  
All text and languages possible

Ask for our help at [info@bacocontrols.com](mailto:info@bacocontrols.com)

Enclosures

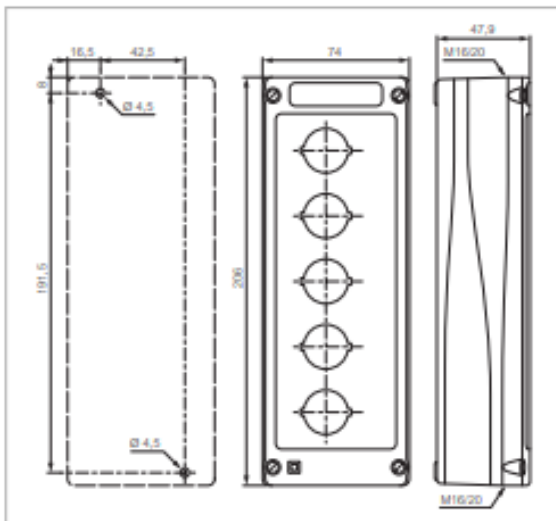
► 5 Holes

Cat. No.



- **Black base**
- Grey cover

LBX0500



- Possibility to assign a part number to empty boxes with marking  
All text and languages possible

Ask for our help at [info@bacocontrols.com](mailto:info@bacocontrols.com)

# Customized Solutions!

## ► Baco Controls provides custom Control Stations

Baco Controls offers the convenience of ordering custom assembled control stations. We have laser engraving machines to create custom nameplates for your application. We offer various enclosure sizes and materials to meet your specifications.





Stay connected to the BACO database

