



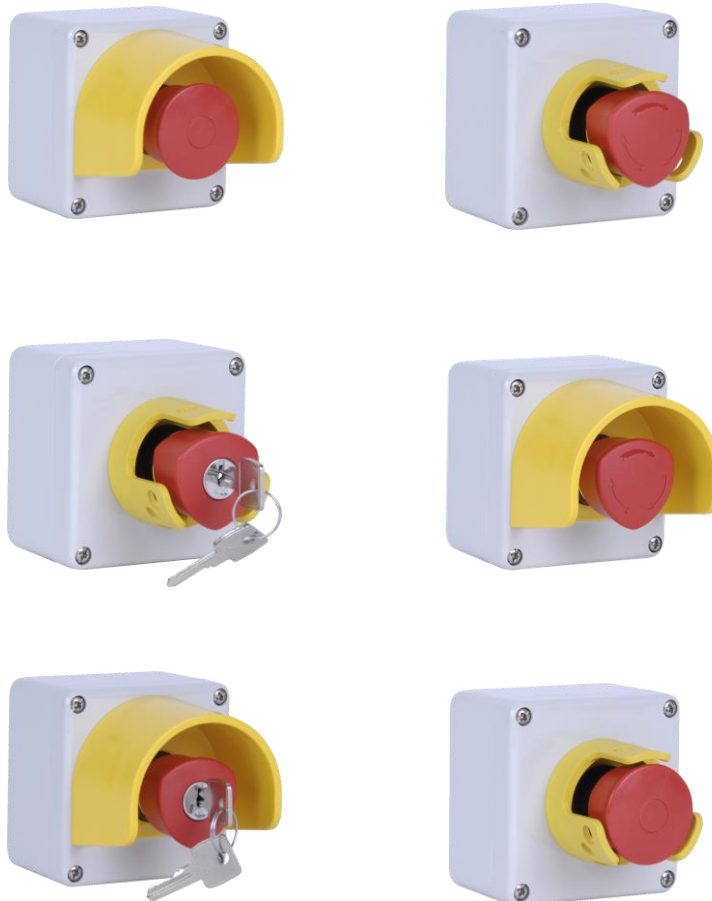
---

▶ **YOUR CONTROL STATION  
SOLUTION STARTS HERE!**

VARIETY OF DEVICES AND OPTIONS

## LBPA / LBPP Enclosures

## ▶ Larger enclosures

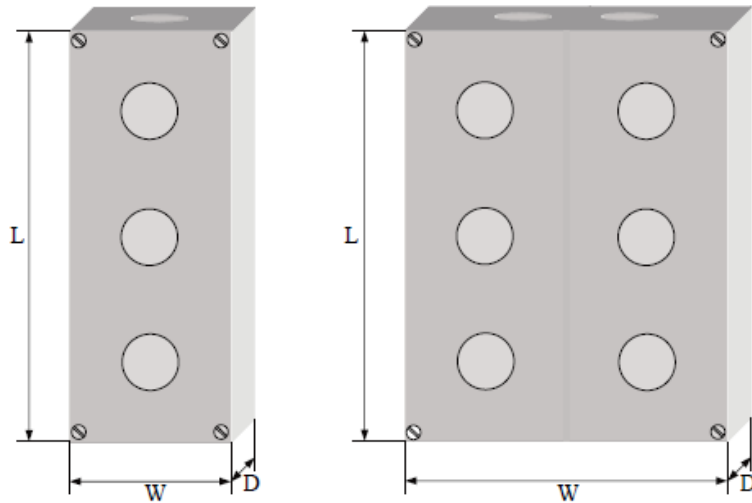


- ▶ 1 to 10 holes  
Can be combined with 1, 3 or 5 positions clips, LED blocks and contact blocks  
Silk screen printing possible  
Recommended with LWA0242 yellow guard ring for emergency stop button  
IP65



LBPA / LBPP Enclosures

- ▶ 1 to 10 holes



BACO Part Number	No. of holes	Dimensions		
		Length L (mm)	Width W (mm)	Depth D (mm)
BPA201	1	82	80	55
BPA202	2	120	80	55
BPA203	3	160	80	55
BPP201	1	82	80	85
BPP202	2	120	80	85
BPP203	3	160	80	85
BPP204	4	122	120	85
BPP206	6	200	120	75
BPP208	8	200	120	75
BPP210	10	240	120	100

- ▶ Polycarbonate control stations  
Pre-drilled cover

EXTRA POSSIBILITIES

► Accessories

Cat. No.

Padlockable guard  
For stay-put mushroom head  
● Yellow

LWA0240

Yellow guard ring  
For emergency stop button  
● Yellow

LWA0242

Blanking plug

● Black  
● Grey

LWA0229  
LWA0215

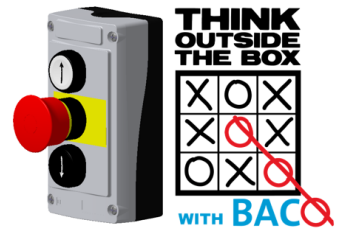
Anti-rotation ring  
For selector switches

LWA0237

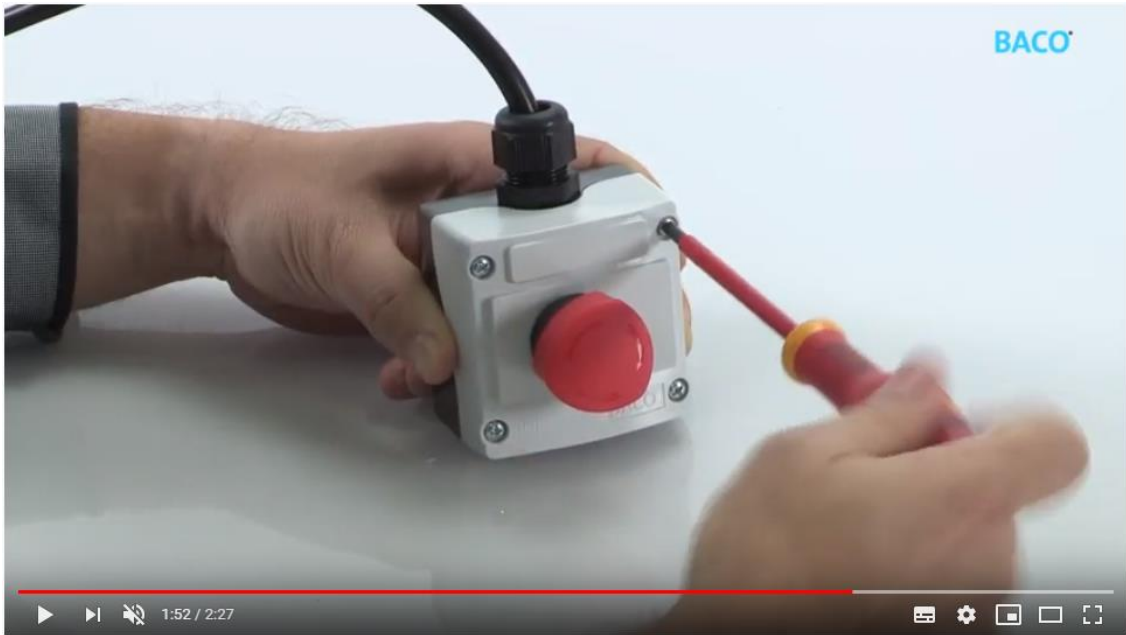
Relay terminal (earth or neutral)  
*\*LBX enclosures only*  
Base mounted

LWA0216

► LWA0240 and LWA0242 are recommended to be used with LBPA/LBPP boxes



Control stations tutorial video



- ▶ Take a look on our tutorial video  
2:27 minutes to become an expert



[www.bacocontrols.com](http://www.bacocontrols.com)